

AGV Battery Systems



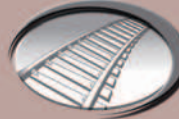
Motive Power Systems



Telecom/IT Battery Systems



Railway Battery Systems



Power Supply



Standby



# OPzV

## Sealed lead-acid battery

### Product features customer benefits

- Electrolyte in gel form
  - = **no maintenance**
  - = **horizontal operation (option)**
- Tubular plate
  - = **long life in cyclic operation**
- DIN product of up-to-date design
  - = **compatibility with existing installations**
- Composite terminal / system connector
  - = **no corrosion**
  - = **prevents short-circuits even during installation**

Main applications for HOPPECKE OPzV:



IT/Telecom



Security lighting



Signalling equipment



**HOPPECKE**

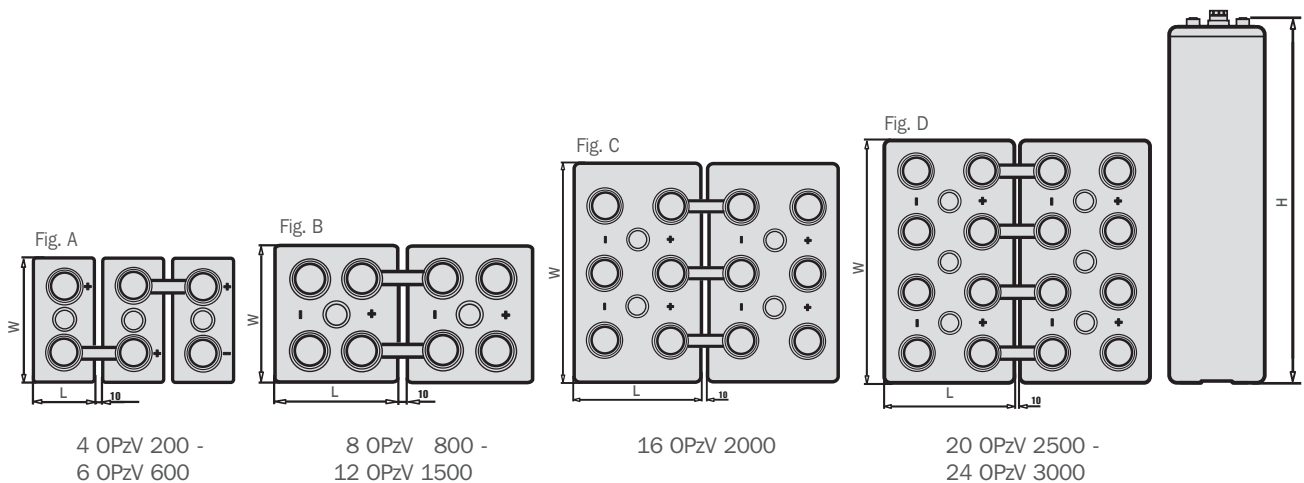
POWER FROM INNOVATION

## Type overview

### Capacities, dimensions and weights

Type	C <sub>nom</sub> /1.80 V Ah*	C <sub>10</sub> /1.80 V Ah**	C <sub>5</sub> /1.77 V Ah	C <sub>3</sub> /1.75 V Ah	C <sub>1</sub> /1.67 V Ah	Max. Weight kg	Length L mm	Width W mm	Height H mm	Fig.
4 OPzV 200	200	214	191	172	122	20,0	105	208	420	A
5 OPzV 250	250	267	239	215	153	24,0	126	208	420	A
6 OPzV 300	300	321	287	258	183	28,0	147	208	420	A
5 OPzV 350	350	389	337	295	207	31,0	126	208	535	A
6 OPzV 420	420	467	405	354	248	37,0	147	208	535	A
7 OPzV 490	490	545	472	413	290	42,0	168	208	535	A
6 OPzV 600	600	644	555	476	340	50,0	147	208	710	A
8 OPzV 800	800	859	741	634	454	68,0	215	193	710	B
10 OPzV 1000	1000	1074	926	793	567	82,0	215	235	710	B
12 OPzV 1200	1200	1288	1111	951	681	97,0	215	277	710	B
12 OPzV 1500	1500	1579	1326	1161	794	120,0	215	277	855	B
16 OPzV 2000	2000	2106	1768	1548	1059	165,0	215	400	815	C
20 OPzV 2500	2500	2632	2210	1934	1324	200,0	215	490	815	D
24 OPzV 3000	3000	3158	2652	2321	1589	240,0	215	580	815	D

\* C<sub>nom</sub> = Nominal capacity at 10 h discharge according to DIN 40742    \*\* C<sub>10</sub> = Real capacity at 10 h discharge



Life expectancy: up to 18 years  
Suitable for cycling: up to 1200 discharges at 80% DOD