

AGV Battery Systems



Motive Power Systems



Telecom/IT Battery Systems



Railway Battery Systems



Power Supply



Standby



power.com SB

Sealed lead-acid battery

Product features customer benefits

- Electrolyte fixed in glass mat
= **reduced maintenance (no water refilling)**
= **horizontal operation (option)**
- Protection against flashback and central degassing integrated in the lid
= **Enhanced protection against risk of explosion**
- Smooth battery lid with integral handle
= **easy-to-clean surface**
= **easy to handle**
- Composite terminal / system connector
= **exclude corrosion**
= **prevent short-circuits even during installation**

Main applications:



IT/Telecom



Security lighting



Power Supply / Industry



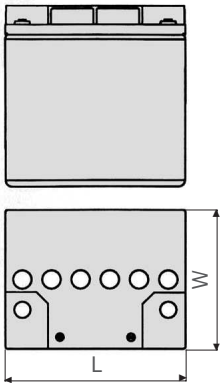
Type overview

Capacities, dimensions and weights

Type	C ₁₀ **/1.80 V Ah	C ₅ /1.77 V Ah	C ₃ /1.75 V Ah	C ₁ /1.70 V Ah	C _{1/2} /1.65 V Ah	C _{1/6} /1.60 V Ah	Weight kg	Length L mm	Width W mm	Height H mm	Fig.
power.com SB 12V 50	52.7	51.5	49.2	41.8	35.8	25.3	26.0	229	177	230	A
power.com SB 12V 60	63.2	56.5	54.3	46.1	39.5	28.0	26.5	229	177	230	A
power.com SB 12V 80	80.4	78.5	75.0	63.7	54.5	38.8	37.5	344	177	230	B
power.com SB 12V 100	94.8	85.0	81.3	69.2	59.0	42.0	38.0	344	177	230	B
power.com SB 12V 110	111.1	108.0	103.5	88.1	75.5	53.7	52.0	498	177	230	C
power.com SB 12V 130	128.9	115.5	110.7	94.1	80.5	57.2	52.5	498	177	230	C
power.com SB 12V 140	142.2	127.5	122.1	104.0	89.0	63.2	54.5	498	177	230	C
power.com SB 6V 170	170.0	143.1	133.2	110.0	94.4	66.3	32.0	242	170	275	D

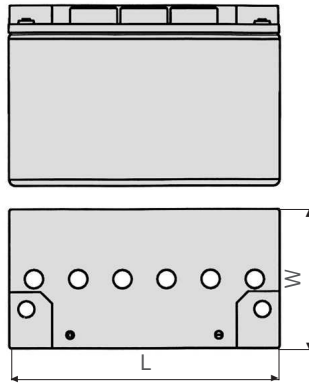
** C₁₀ = Real capacity at 10 h discharge

Fig. A



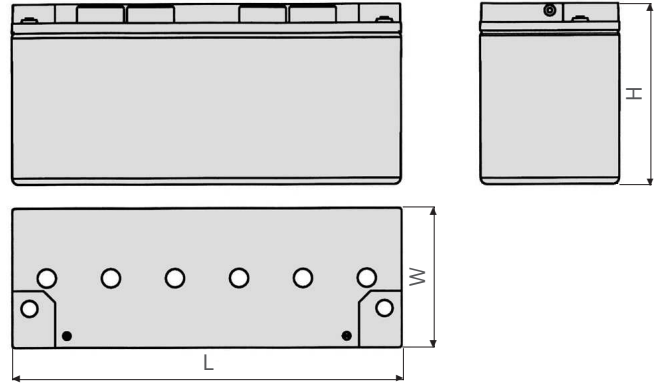
power.com SB 12V 50 -
power.com SB 12V 60

Fig. B



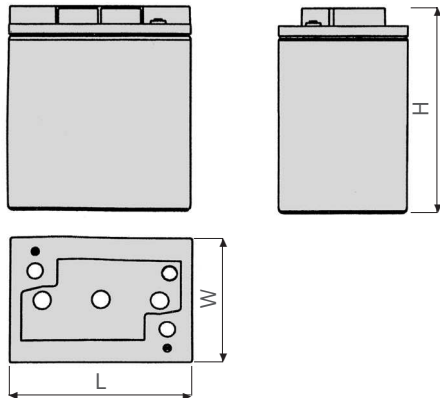
power.com SB 12V 80 -
power.com SB 12V 100

Fig. C



power.com SB 12V 110 -
power.com SB 12V 140

Fig. D



power.com SB 6V 170

Life expectancy: > 12 years (acc. to EUROBAT)